



PARTS LIST

N41 Series

N51 Series

N410 - N410U
TAUPE

N510 - N510U
TAUPE

N410.3 - N410.3U
TAUPE

N510.3 - N510.3U
TAUPE

N412 - N412U
BLACK

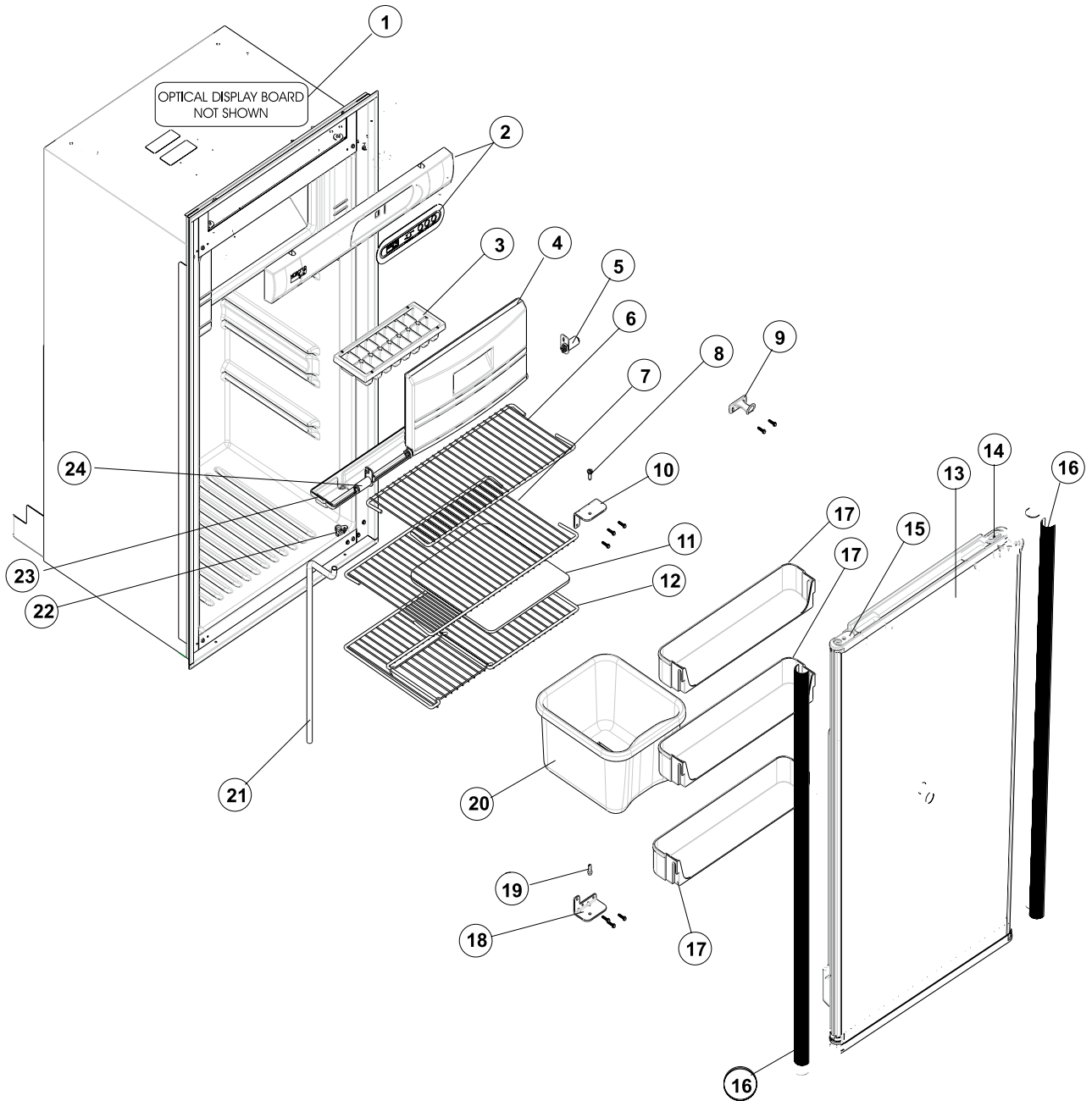
N512 - N512U
BLACK

N412.3 - N412.3U
BLACK

N512.3 - N512.3U
BLACK

Note: "U" After the model have upper travel latches

CABINET ASSEMBLY - FRONT VIEW - N41/51 SERIES



CABINET ASSEMBLY - FRONT VIEW - N41/N51 SERIES

NO.	PART #	DESCRIPTION	N410 SERIES	N412 SERIES	N510 SERIES	N512 SERIES
1	633273	KIT-CONTROLS ADAPTER/EG2 (9140558 & BELOW)	X	X	X	X
	633291	KIT-CONTROLS ADAPTER/EG3 (9159955 & BELOW)	X	X	X	X
NS	628663	OPTICAL DISPLAY BOARD (EG2 - 9140559 & ABOVE)(EG3 - 9159956 & ABOVE)	X	X	X	X
2	623885	CONTROL PANEL/OPTICAL OVERLAY ASSY-EG2/TAUPE	X		X	
	623886	CONTROL PANEL/OPTICAL OVERLAY ASSY-EG3/TAUPE	X		X	
	627469	CONTROL PANEL/OPTICAL OVERLAY ASSY-EG2/BLACK		X		X
	627470	CONTROL PANEL/OPTICAL OVERLAY ASSY-EG3/BLACK		X		X
NS	621783	BRACKET-MOUNTING/DISPLAY BOARD	X	X	X	X
3	61630422	ICE CUBE TRAY-PLASTIC (1 PER REFRIGERATOR)	X	X	X	X
4	619117	EVAPORATOR DOOR ASSY	X	X	X	X
NS	61633030	MOUNTING CLIP-LH/WHITE/EVAPORATOR DOOR	X	X	X	X
NS	61632930	MOUNTING CLIP-RH/WHITE/EVAPORATOR DOOR	X	X	X	X
5	619041	SPRING HOLDER ASSY-RH/EVAP DOOR/SILVER SPRING	X	X	X	X
6	620156	SHELF-WIRE/UPPER/SHORT (USE 632442)	X	X	X	X
	632442	SHELF-WIRE/UPPER/SHORT	X	X	X	X
7	620155	SHELF-WIRE/MIDDLE (N51 ONLY) (S/N 18721782 AND BELOW)			X	X
	632441	SHELF-WIRE/MIDDLE (N51 ONLY) (S/N 18721783 AND ABOVE)			X	X
8	61114600	HINGE PIN-TOP (USE 638630)	X		X	
	638630	KIT SERVICE UPPER HINGE PIN REPLACEMENT	X		X	
	623899	HINGE PIN-TOP (USE 638780)		X		X
	638780	KIT SERVICE UPPER HINGE PIN REPLACEMENT		X		X
9	619103	LATCH-DOOR/TAUPE (USE 638724)	X		X	
	638724	KIT SERVICE DOOR LATCH REPLACEMENT	X		X	
	627677	LATCH-DOOR/BLACK (USE 638583)		X		X
	638583	KIT SERVICE DOOR LATCH REPLACEMENT		X		X
10	620188	HINGE-CABINET/UPPER LH/LOWER RH/TAUPE	X		X	
	626729	HINGE-CABINET/UPPER LH/LOWER RH/BLACK		X		X
11	621412	COVER-CRISPER (N51 ONLY)			X	X
12	620178	SHELF-WIRE/LOWER/FLIPPER (S/N 18721782 AND BELOW)	X	X	X	X
	632443	SHELF-WIRE/LOWER/FLIPPER (S/N 18721783 AND ABOVE)	X	X	X	X
NS	618065	CAP-CLEAR/FLIPPER SHELF	X	X	X	X
13	620164	DOOR ASSY-CABINET/TAUPE (USE 638811)	X			
	638811	KIT SERVICE DOOR ASSY REPLACEMENT	X			
	627465	DOOR ASSY-CABINET/BLACK (USE 638812)		X		
	638812	KIT SERVICE DOOR ASSY REPLACEMENT		X		
	620125	DOOR ASSY-CABINET/TAUPE (USE 638813)			X	
	638813	KIT SERVICE DOOR ASSY REPLACEMENT			X	
	627472	DOOR ASSY-CABINET/BLACK (USE 638814)				X
638814	KIT SERVICE DOOR ASSY REPLACEMENT				X	
14	619104	LATCH PLATE-DOOR/TAUPE (USE 638725)	X		X	
	638725	KIT SERVICE DOOR LATCH PLATE REPLACEMENT	X		X	
	627571	LATCH PLATE-DOOR/BLACK (USE 638579)		X		X

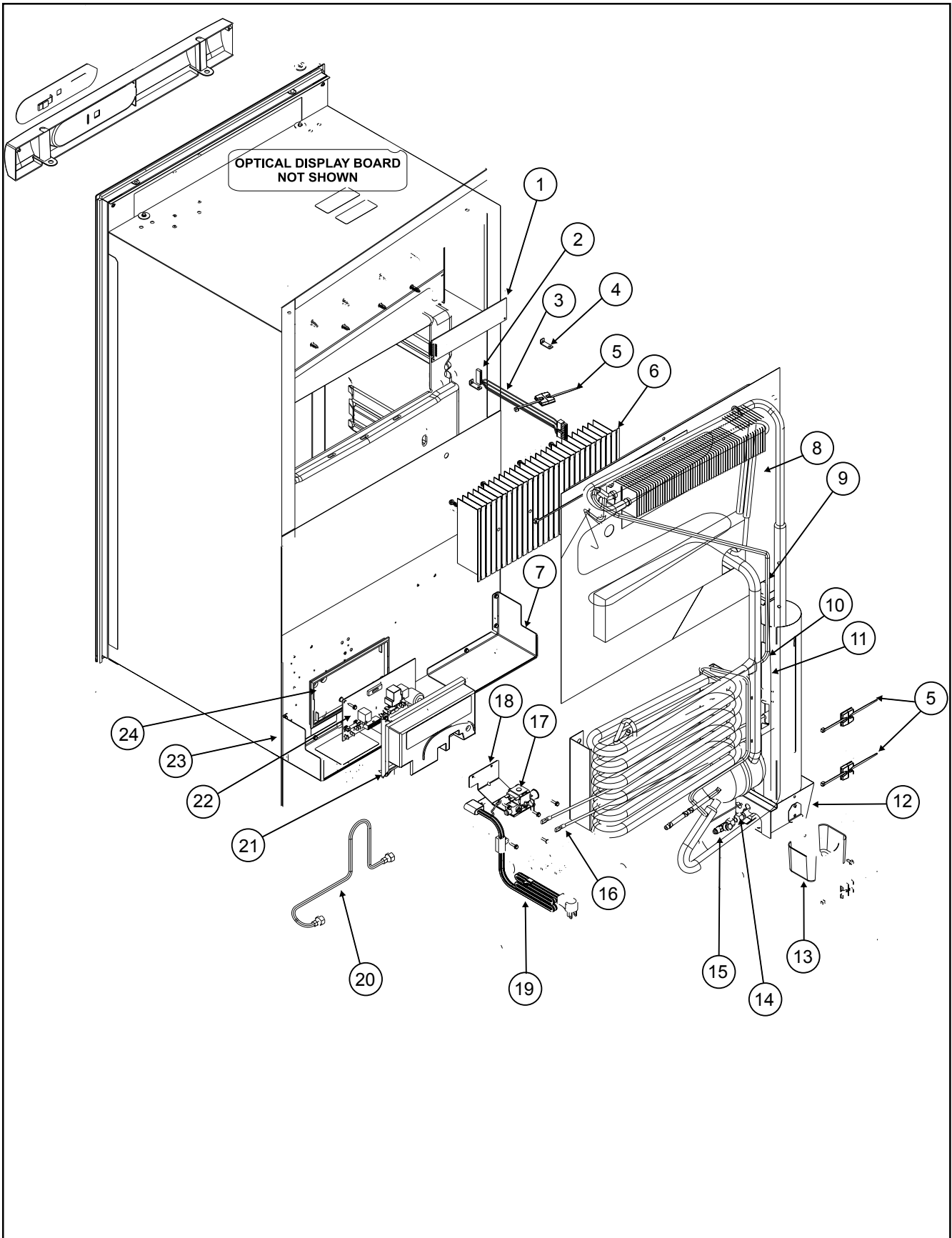
CABINET ASSEMBLY - FRONT VIEW - N41/N51 SERIES

15	620200	PLATE-FILLER/DOOR ASSY/TAUPE	X		X	
	627572	PLATE-FILLER/DOOR ASSY/BLACK (USE638581)		X		X
	638581	KIT SERVICE DOOR FILLER PLATE		X		X
16	620167	PANEL RETAINER-TAUPE	X			
	626725	PANEL RETAINER-BLACK		X		
	620130	PANEL RETAINER-BEIGE			X	
	626735	PANEL RETAINER-BLACK				X
17	624863	BIN-DOOR SHELF (2 PER N41/3 PER N51)	2	2	3	3
18	620187	HINGE-CABINET/UPPER RH/LOWER LH/TAUPE	X		X	
	626728	HINGE-CABINET/UPPER RH/LOWER LH/BLACK		X		X
19	61550722	HINGE PIN-BOTTOM (USE 638636)	X	X	X	X
	638636	KIT SERVICE LWR HINE PIN REPLACEMENT	X	X	X	X
20	621309	BIN-CRISPER (N51 ONLY)			X	X
21	622394	DRAIN HOSE ASSY	X	X		
	622393	DRAIN HOSE ASSY			X	X
NS	622857	KIT-DRAIN HOSE REPAIR	X	X	X	X
22	61409622	CLIP-SHELF (2 PER REFRIGERATOR)	X	X	X	X
	623121	CLIP-SHELF (2 PER REFRIGERATOR)	X	X	X	X
23	622858	DRIP TRAY-INSIDE	X	X	X	X
NS	622754	PLUG-DRIP TRAY/WHITE (USE WITH 622858)	X	X	X	X
24	619042	SPRING HOLDER ASSY-LH/EVAP DOOR/YELLOW SPRING	X	X	X	X
NS	621426	BREAKER TRIM/SEAL ASSY-BOTTOM TRIM/TAUPE	X		X	
	627467	BREAKER TRIM/SEAL ASSY-BOTTOM TRIM/BLACK		X		X
NS	626726	BREAKER TRIM/PANEL, BLK	X	X	X	X
NS	620464	INSTALLATION PACK ASSY-BTM BREAKER/SCREW/TAUPE	X		X	
	627466	INSTALLATION PACK ASSY-BTM BREAKER/SCREW/BLACK		X		X

NS = NOT SHOWN

 PART IS NO LONGER AVAILABLE

CABINET ASSEMBLY - REAR VIEW - N41/N51 SERIES



CABINET ASSEMBLY - REAR VIEW - N41/N51 SERIES

NO.	PART #	DESCRIPTION	N410 SERIES	N412 SERIES	N510 SERIES	N512 SERIES
1	622261	COVER-REAR/OPTICAL DISPLAY	X	X	X	X
2	633734	CLIP-THERMISTER MOUNTING/FIN	X	X	X	X
3	621785	THERMISTER (EG2 - 9140558 & BELOW)(EG3 - 9159955 & BELOW)	X	X	X	X
	628760	THERMISTER (EG2 - 9140559 & ABOVE)(EG3 - 9159956 & ABOVE)	X	X	X	X
4	621237	SPACER-CONDENSER/FOR COOLING UNIT	X	X	X	X
5	618950	WIRE MOUNT-ADHESIVE	X	X	X	X
6	61686823	FINS	X	X	X	X
7	619124	BRACE-CORNER/CABINET/RH	X	X	X	X
8	632294	NSC SYSTEM PACK-COOLING UNIT (BACKER HEATER)	X	X		
	632299	NSC SYSTEM PACK-COOLING UNIT (BACKER HEATER)			X	X
NS	61679022	BAFFLE DIFFUSER-SPIRAL FLAME SPREADER	X	X	X	X
NS	61632010	WIRE-BAFFLE DIFFUSER/FORMED	X	X	X	X
9	61695022	CAP-HEAT DEFLECTOR	X	X	X	X
10	61562522	HEATER-AC/200W/110VAC	X	X	X	X
	630804	HEATER-AC/200W/110VAC (FOR COOLING UNIT WITH BACKER HEATER)	X	X	X	X
11	620884	HEATER-DC/EG3		EG3		EG3
	630810	HEATER-DC/EG3 (FOR COOLING UNIT WITH BACKER HEATER)		EG3		EG3
12	61712637	COVER ASSY-BURNER BOX	X	X	X	X
NS	61695322	BASE-BURNER BOX (NOT SHOWN)	X	X	X	X
13	622546	DRIP CUP-REAR/PLASTIC	X	X	X	X
14	621955	KIT-BURNER/ORIFICE ADAPTER ASSY	X	X	X	X
15	621173	PRESSURE TAP/SWIVEL CONNECTOR ASSY			OM	OM
NS	621086	PRESSURE TAP TEE ASSY-WITH PLUG (PARTS OF 621173)			OM	OM
NS	61445322	PLUG-1/8" /FOR PRESSURE TAP			OM	OM
NS	621079	CONNECTOR-SWIVEL NUT			OM	OM
NS	61692222	ELECTRODE-SPARK/SENSE(USE 638097)	X	X	X	X
	638097	KIT SERVICE SPARK SENSE ELECTRODE REPLACEMENT	X	X	X	X

CABINET ASSEMBLY - REAR VIEW - N41/N51 SERIES

16	621448	WIRE-WHITE/9"/GAS VALVE (EG2 - 9140558 & BELOW)(EG3 - 9159955 & BELOW)	NOTE	NOTE	NOTE	NOTE
17	633726	GAS VALVE (EG2 - 9140559 & ABOVE)(EG3 - 9159956 & ABOVE)	X	X	X	X
	628995	GAS VALVE/BRACKET ASSY (EG2 - 9140558 & BELOW)(EG3 - 9159955 & BELOW)	X	X	X	X
18	624685	BRACKET-MOUNTING/GAS VALVE (EG2-9140558 & BELOW)(EG3-9159955 & BELOW)	X	X	X	X
	628994	BRACKET-MOUNTING/GAS VALVE (EG2-9140559 & ABOVE)(EG3-9159956 & ABOVE)	X	X	X	X
19	61554422	CORD-AC POWER/BLACK	X	X	X	X
20	626672	BURNER TUBE	X	X	X	X
NS	624684	BURNER TUBE (MODELS WITH PRESSURE TAP)			OM	
21	618185	COVER-POWER SUPPLY (EG2 - 9140558 & BELOW)(EG3 - 9159955 & BELOW)	X	X	X	X
	628677	COVER-POWER SUPPLY (EG2 - 9140559 & ABOVE)	X	X	X	X
	628678	COVER-POWER SUPPLY (EG3 - 9159956 & ABOVE)	X	X	X	X
22	632168001	KIT-POWER BOARD (EG2 - 9140558 & BELOW)	EG2	EG2	EG2	EG2
	621268001	KIT-POWER BOARD (EG3 - 9159955 & BELOW)	EG3	EG3	EG3	EG3
	628661	POWER BOARD (EG2 - 9140559 & ABOVE)(EG3 - 9159956 & ABOVE)	X	X	X	X
NS	628669	DC BOARD (EG3 - 9159956 & ABOVE) (USE 637764)	EG3	EG3	EG3	EG3
	637764	KIT SERVICE DC POWER BOARD REPLACEMENT	EG3	EG3	EG3	EG3
23	619119	BRACE-CORNER/CABINET/LH	X	X	X	X
24	618186	BASE-POWER BOARD (EG2 - 9140558 & BELOW)(EG3 - 9159955 & BELOW)	X	X	X	X
	628674	BASE-POWER BOARD (EG2 - 9140559 & ABOVE)	X	X	X	X
	628675	BASE-POWER BOARD (EG3 - 9159956 & ABOVE)	X	X	X	X
NS	621780	WIRING HARNESS (EG2 - 9140558 & BELOW)(EG3 - 9159955 & BELOW)	X	X	X	X
	628761	WIRING HARNESS (EG2 - 9140559 & ABOVE)(EG3 - 9159956 & ABOVE)	X	X	X	X
NS	628763	WIRE-INPUT/RED (DC/DEFROST BOARD TO POWER BOARD (9159956 & ABOVE)	EG3	EG3	EG3	EG3
NS	628764	WIRE-INPUT/BLACK (DC/DEFROST BOARD TO POWER BOARD (9159956 & ABOVE)	EG3	EG3	EG3	EG3

NS = NOT SHOWN

OM = OLDER MODELS WITH PRESSURE TAP

NOTE: 621448 IS A PART OF THE WIRING HARNESS ON (EG2 - 9140558 & BELOW)(EG3 - 9159955 & BELOW)

FAN MODEL COMPONENTS - N41/N51 SERIES

PART #	DESCRIPTION	N412.3F
618403	BRACKET-DC FAN	1
61417922	CABLE TIE-NYLON	2
618073	FAN-EXTERNAL DC (USE 637881)	1
637881	FAN-EXTERNAL DC	1
618093	THERMOSTAT-DC FAN	1
629882	WIRE ASSY	1
635955	WIRE-12" BLACK	1
621943	WIRE-60" RED	1
628758	WIRE-AUXILLARY/OUTPUT/BLACK	1
628759	WIRE-AUXILLARY/OUTPUT/RED	1
	NO LONGER AVAILABLE	