



PARTS LIST

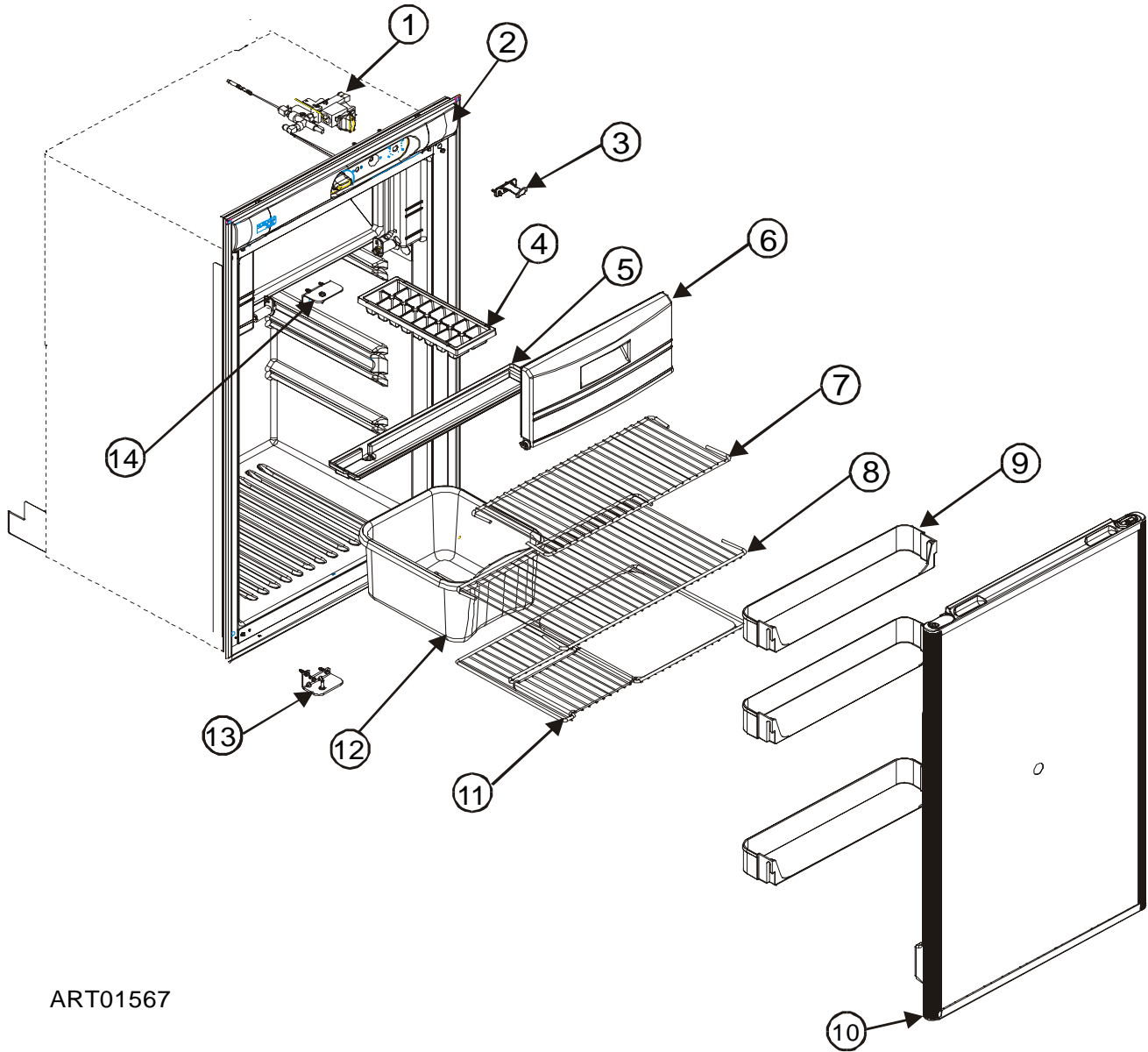
MODELS

N500

N500.3

PART # 620428
NORCOLD 03/01/2009

CABINET ASSEMBLY (FRONT VIEW) - N500 SERIES



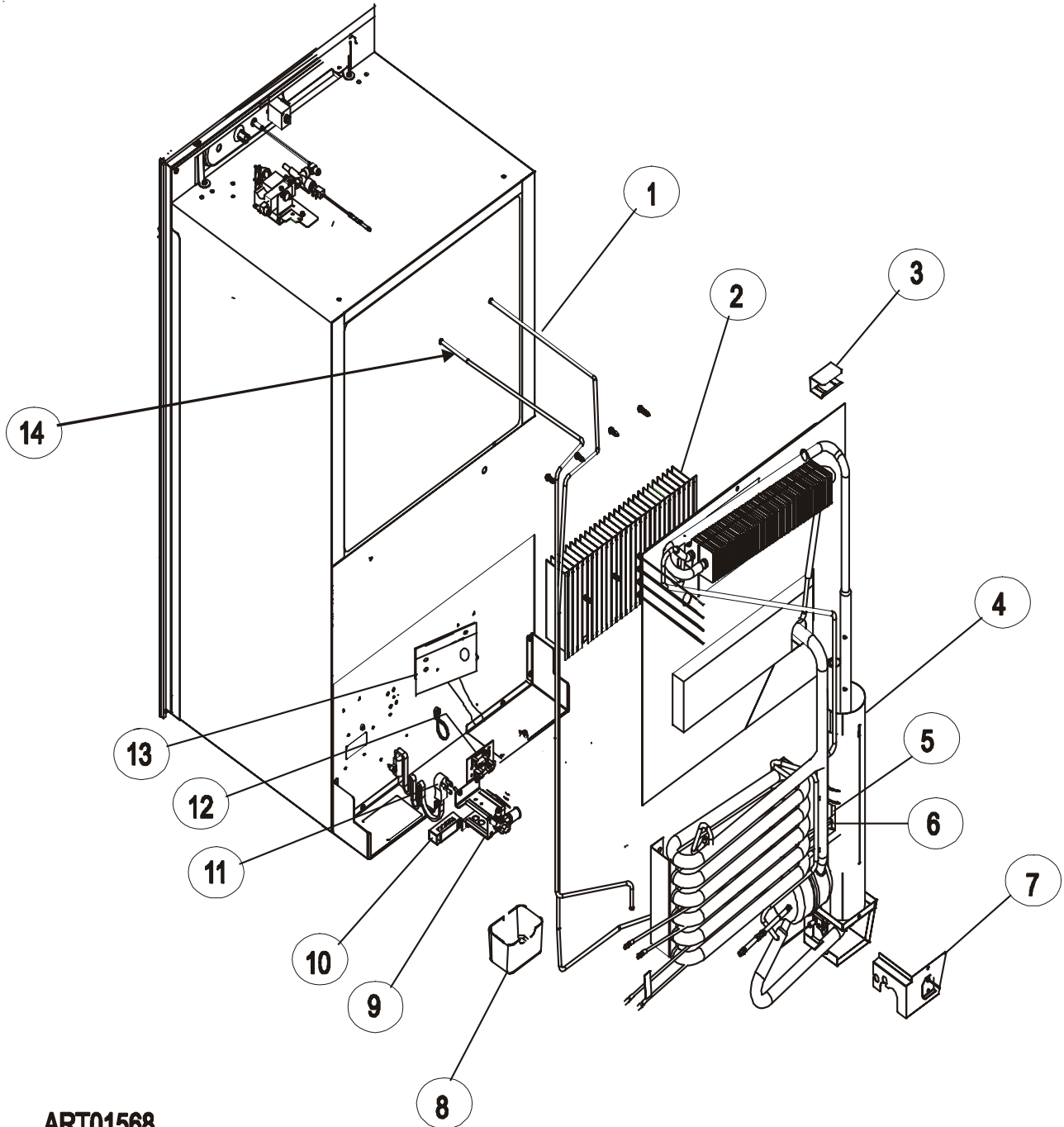
ART01567

CABINET ASSEMBLY (FRONT VIEW) - N500 SERIES

| NO. | PART # | DESCRIPTION | N500 | N500.3 |
|-----|----------|---|------|--------|
| 1 | 620195 | GAS CONTROL ASSY | * | * |
| NS | 620881 | SHROUD-UPPER CONTROL AREA | * | * |
| 2 | 620201 | CONTROL PANEL ASSY | * | |
| | 620445 | CONTROL PANEL ASSY | | * |
| NS | 619070 | KNOB-SELECTOR-TAUPE (SUBSTITUTE 629357 - WARM GRAY) | * | * |
| NS | 619069 | KNOB-GAS CONTROL (USE 619070) | * | * |
| 3 | 619103 | LATCH-DOOR | * | * |
| 4 | 61630422 | ICE CUBE TRAY-PLASTIC | * | * |
| 5 | 622858 | DRIP TRAY-INSIDE | * | * |
| 6 | 619117 | FREEZER DOOR ASSY | * | * |
| NS | 619042 | SPRING HOLDER ASSY-LH/EVAPORATOR DOOR | * | * |
| NS | 619041 | SPRING HOLDER ASSY-RH/EVAPORATOR DOOR | * | * |
| 7 | 620156 | SHELF-WIRE/TOP/SHORT | * | * |
| 8 | 620155 | SHELF-WIRE/MIDDLE | * | * |
| 9 | 620157 | BIN-DOOR SHELF (3 PER REFRIGERATOR) | * | * |
| 10 | 620125 | DOOR ASSY-CABINET | * | * |
| 11 | 620178 | SHELF-WIRE/LOWER/FLIPPER | * | * |
| 12 | 621309 | BIN-CRISPER | * | * |
| NS | 621412 | COVER-CRISPER | * | * |
| 13 | 620187 | HINGE-CABINET/UPPER RH/LOWER LH | * | * |
| NS | 61550722 | HINGE PIN-BOTTOM | * | * |
| 14 | 620188 | HINGE-CABINET/UPPER LH/LOWER RH | * | * |
| NS | 61114600 | HINGE PIN-TOP | * | * |
| NS | 621426 | BREAKER TRIM/SEAL ASSY-BOTTOM TRIM | * | * |
| NS | 61409622 | CLIP-SHELF | * | * |

NS = NOT SHOWN

CABINET ASSEMBLY (REAR VIEW) - N500 SERIES



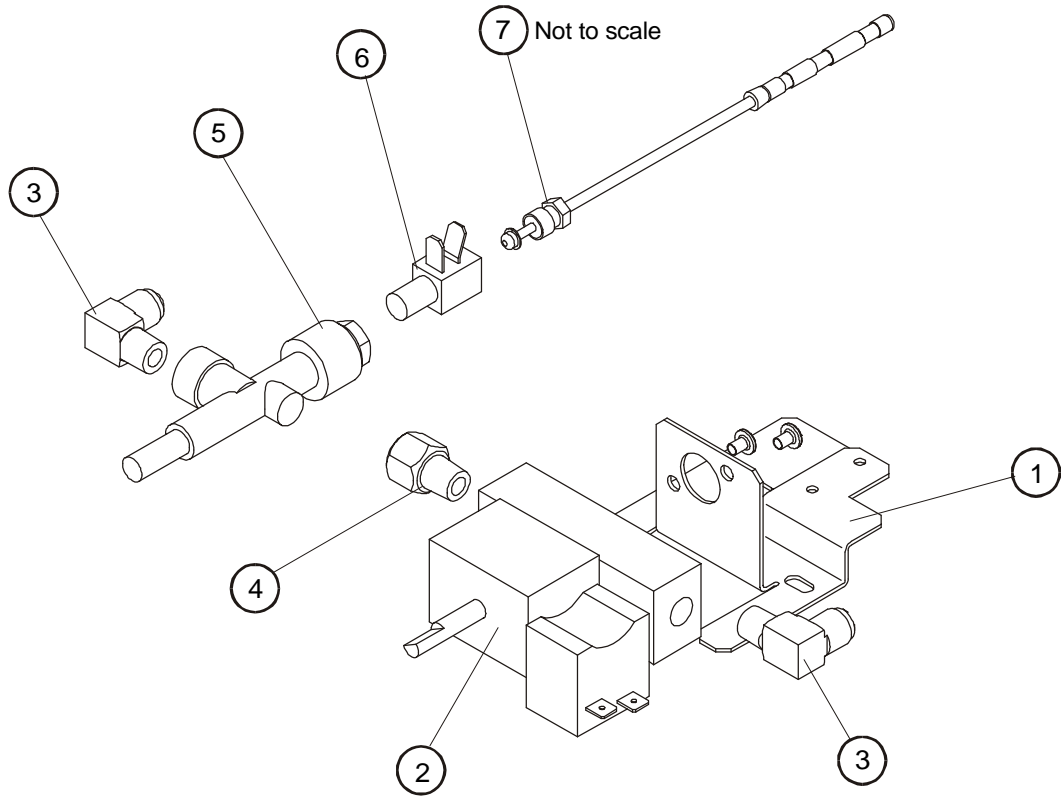
ART01568

CABINET ASSEMBLY (FRONT VIEW) - N500 SERIES

| NO. | PART # | DESCRIPTION | N500 | N500.3 |
|-----|----------|---|------|--------|
| 1 | 620222 | BURNER TUBE | * | * |
| 2 | 61686823 | FINS | * | * |
| NS | 61728722 | CLIP-FIN | * | * |
| 3 | 61695022 | CAP-HEAT DEFLECTOR | * | * |
| 4 | 632299 | NSC SYSTEM PACK-COOLING UNIT (BACKER HEATER) | * | * |
| 5 | 620884 | HEATER-DC/EG3 | | * |
| | 630810 | HEATER-DC/EG3 (FOR COOLING UNIT WITH BACKER HEATER) | | * |
| 6 | 61562522 | HEATER-AC/200W/110VAC | * | * |
| | 630804 | HEATER-AC/200W/110VAC (FOR COOLING UNIT WITH BACKER HEATER) | * | * |
| 7 | 61712637 | COVER ASSY-BURNER BOX | * | * |
| 8 | 61710922 | DRIP CUP-REAR | * | * |
| NS | 622393 | DRAIN HOSE ASSY | * | * |
| 9 | 61692322 | MANUAL SHUT OFF VALVE ASSY | * | * |
| NS | 61694022 | BRACKET-MOUNTING/MANUAL SHUT OFF VALVE | * | * |
| 10 | 619177 | COVER-TERMINAL BLOCK | * | * |
| 11 | 617918 | CORD-AC POWER | * | * |
| 12 | 620868 | TERMINAL BLOCK | * | * |
| 13 | 620796 | RELIGHTER | * | * |
| 14 | 620224 | INLET TUBE-GAS | * | * |
| NS | 619119 | BRACE-CORNER/CABINET/LH | * | * |
| NS | 619124 | BRACE-CORNER/CABINET/RH | * | * |
| NS | 61583322 | FUSE COVER | * | * |
| NS | 61584222 | FUSE HOLDER | * | * |
| NS | 621228 | PLATE-FUSE HOLDER | * | * |
| NS | 621227 | FUSE-25 AMP/EG3 | | * |
| NS | 61654622 | FUSE-3 AMP/32V OR LESS | * | * |
| NS | 620197 | WIRE HARNESS | * | * |
| NS | 621220 | WIRE-12"/BLACK/CONTROL | * | * |
| NS | 621225 | WIRE-12"/ORANGE/CONTROL | * | * |
| NS | 621219 | WIRE-14"/WHITE/CONTROL/EG3 | | * |
| NS | 620233 | WIRE-61"/YELLOW/CONTROL | | * |
| NS | 621221 | WIRE-67"/WHITE/CONTROL/EG3 | | * |
| NS | 621237 | SPACER-CONDENSER/FOR COOLING UNIT | * | * |
| NS | 621413 | CABLE TIE-HIGH TEMPERATURE | * | * |
| NS | 61417922 | CABLE TIE-NYLON | * | * |
| NS | 61571822 | CABLE TIE-NYLON | * | * |
| NS | 619197 | COVER-EDGE GUARD | * | * |

NS = NOT SHOWN

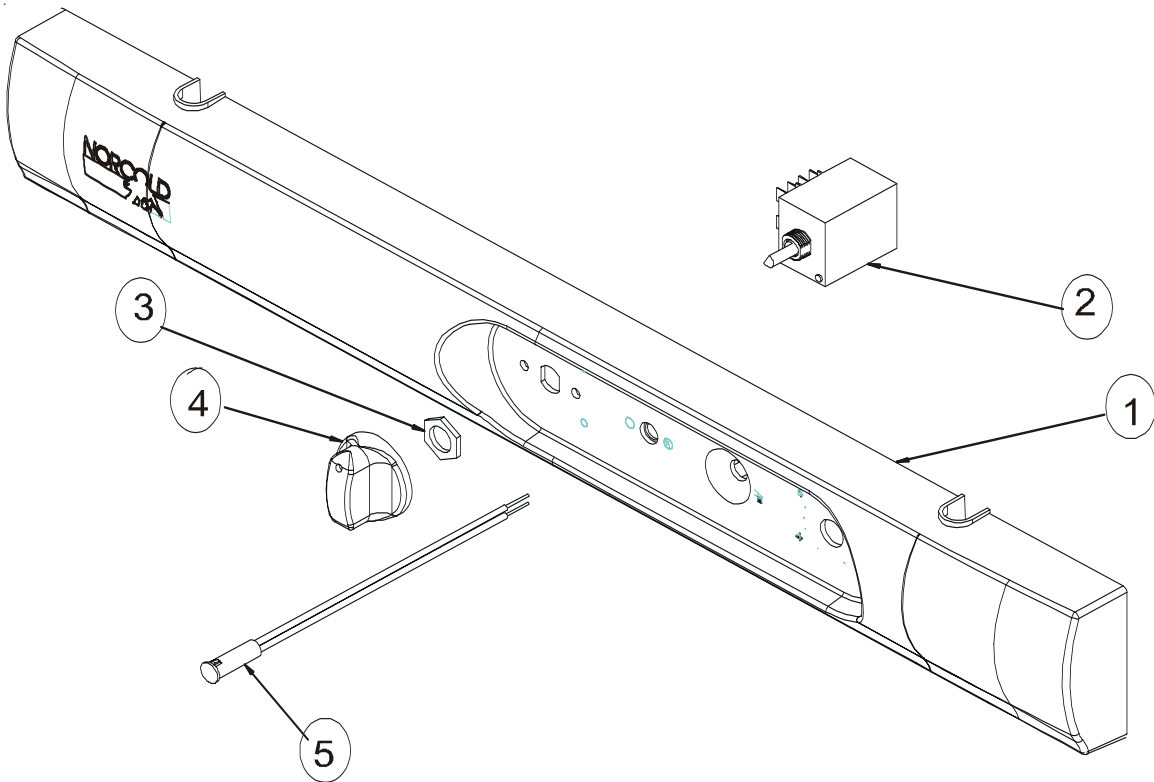
GAS CONTROL ASSEMBLY AREA - N500 SERIES



Art01336

| NO. | PART # | DESCRIPTION | N500 | N500.3 |
|-----|----------|---------------------------------------|------|--------|
| | 620195 | GAS CONTROL ASSY | * | * |
| 1 | 617952 | BRACKET-MOUNTING/THERMOSTAT/GAS VALVE | * | * |
| 2 | 621298 | GAS VALVE-THERMOSTAT CONTROL | * | * |
| 3 | 61621622 | BRASS ELBOW-UNION TUBE | * | * |
| 4 | 619055 | ADAPTOR-PIPE | * | * |
| 5 | 622098 | SAFETY VALVE | * | * |
| 6 | 621737 | INTERRUPTER | * | * |
| 7 | 620424 | THERMOCOUPLE | * | * |

CONTROL PANEL ASSEMBLY AREA - N500 SERIES

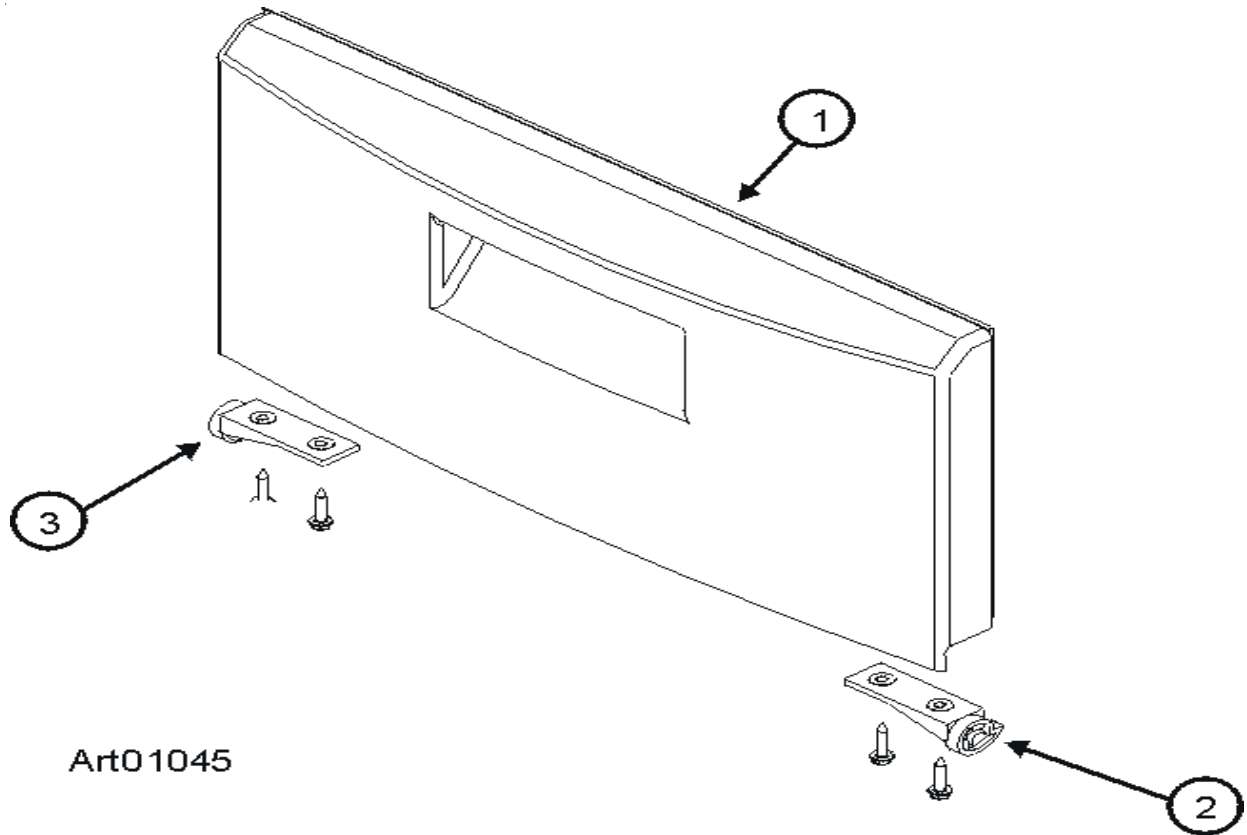


ART01569

| NO. | PART # | DESCRIPTION | N500 | N500.3 |
|-----|----------|---|------|--------|
| 1 | 620202 | CONTROL PANEL | * | |
| | 620206 | CONTROL PANEL | | * |
| 2 | 620863 | SWITCH-SELECTOR | * | * |
| 3 | 621308 | NUT-ATTACHMENT | * | * |
| 4 | 619070 | KNOB-SELECTOR (SUBSTITUTE 629357 - WARM GRAY) | * | * |
| 5 | 61609022 | INDICATOR LIGHT-FLAME | * | * |
| NS | 618040 | CONNECTOR-.25"/FEMALE | * | * |

NS = NOT SHOWN

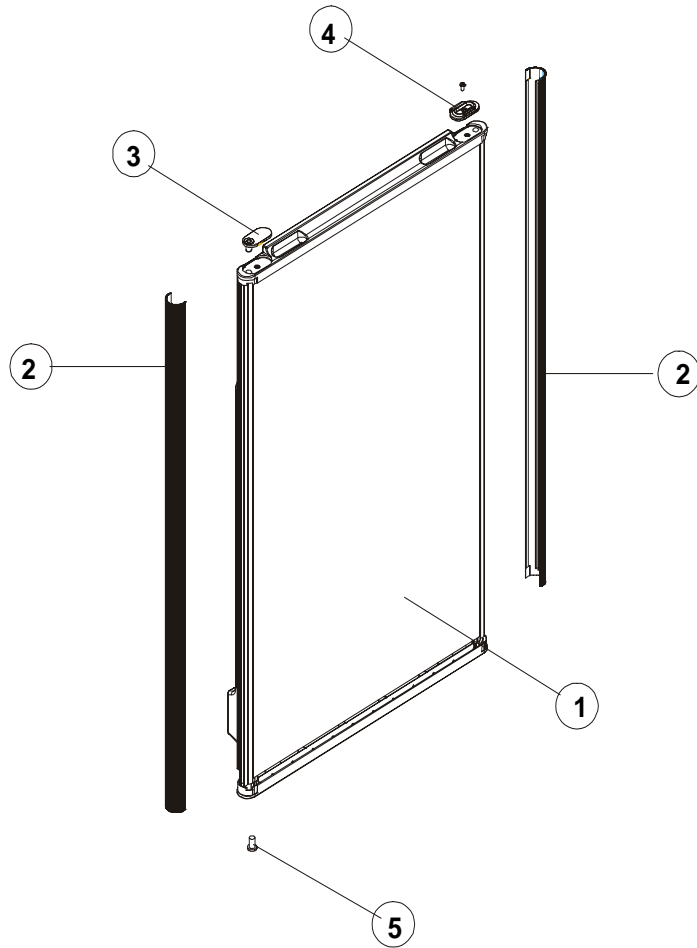
EVAPORATOR DOOR ASSEMBLY - N500 SERIES



Art01045

| NO. | PART # | DESCRIPTION | N500 | N500.3 |
|-----|----------|--|------|--------|
| 1 | 619117 | FREEZER DOOR ASSY | * | * |
| 2 | 61632930 | MOUNTING CLIP-RH/WHITE/EVAPORATOR DOOR | * | * |
| 3 | 61633030 | MOUNTING CLIP-LH/WHITE/EVAPORATOR DOOR | * | * |

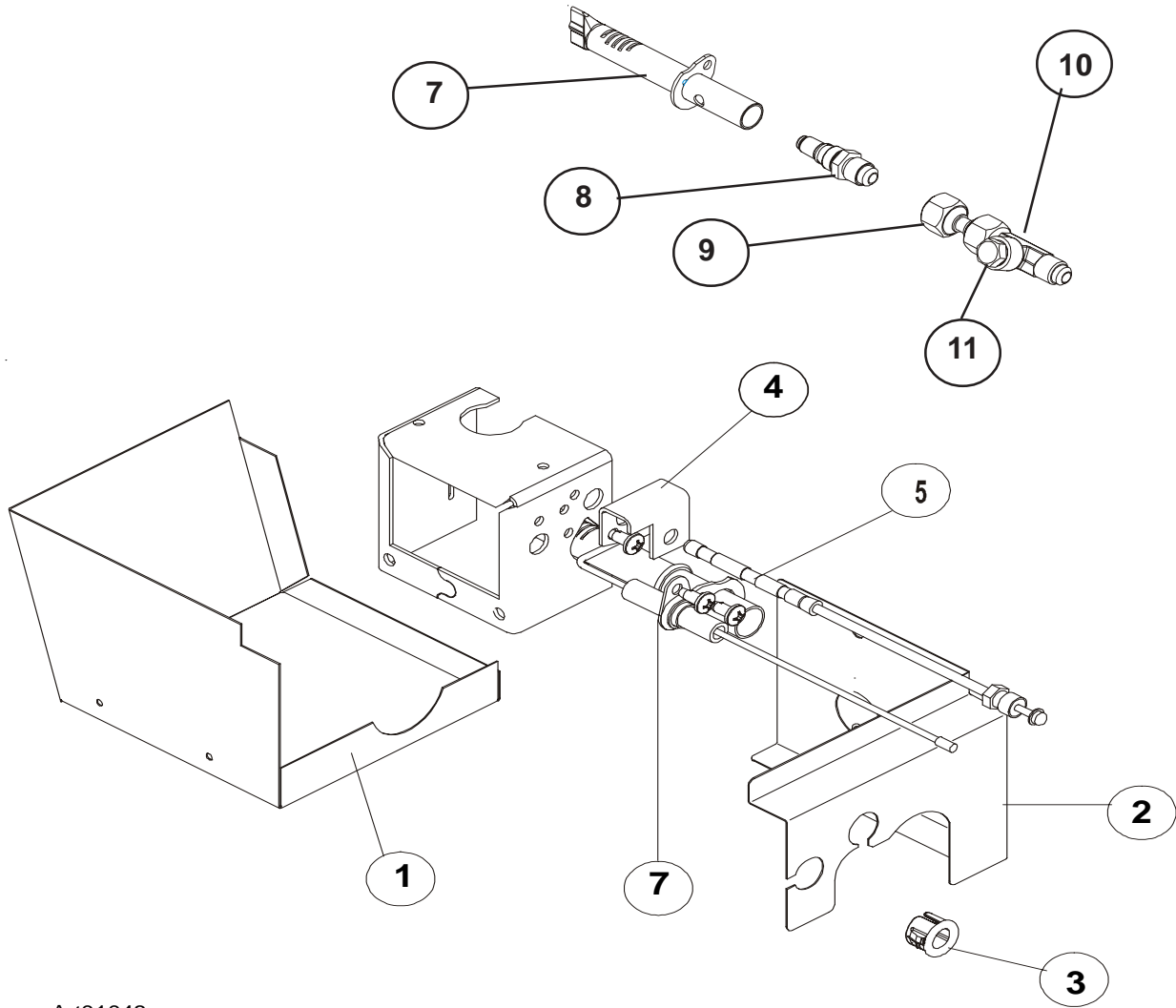
DOOR ASSEMBLY - N500 SERIES



ART01329

| NO. | PART # | DESCRIPTION | N500 | N500.3 |
|-----|----------|------------------------|------|--------|
| 1 | 620125 | DOOR ASSY-CABINET | * | * |
| 2 | 620130 | PANEL RETAINER | * | * |
| 3 | 619104 | LATCH PLATE-DOOR | * | * |
| 4 | 620200 | PLATE-FILLER/DOOR ASSY | * | * |
| 5 | 61742022 | HINGE BUSHING | * | * |
| | 618746 | HINGE BUSHING | * | * |

BURNER ASSEMBLY AREA - N500 SERIES



Art01048

| NO. | PART # | DESCRIPTION | N500 | N500.3 |
|-----|----------|---|------|--------|
| 1 | 61695322 | BASE-BURNER BOX | * | * |
| 2 | 61712637 | COVER ASSY-BURNER BOX | * | * |
| 3 | 61606522 | BUSHING-OPEN/CLOSED 1/2" | * | * |
| 4 | 618448 | BRACKET-THERMOCOUPLE | * | * |
| 5 | 620424 | THERMOCOUPLE | * | * |
| 6 | 61692222 | ELECTRODE-SPARK/SENSE/SINGLE ELECTRODE/0.25" | * | * |
| 7 | 61705222 | BURNER ASSY-5 SLOT (USE 621955) | * | * |
| 8 | 620462 | ORIFICE ADAPTER ASSY-LP14 (USE 621955) | * | * |
| | 621955 | KIT-BURNER/ORIFICE ADAPTER ASSY | * | * |
| 9 | 621079 | CONNECTOR-SWIVEL NUT (SERIAL NUMBER 783384 AND ABOVE) | * | * |
| 10 | 621054 | PRESSURE TAP (SERIAL # 783384 AND ABOVE) | * | * |
| 11 | 61445322 | PLUG-1/8"/FOR PRESSURE TAP | * | * |